

# Low level order pickers

For order picking from floor and first level



worldwide network

5

models

24/7

support



order pickers

PPL • PPF • PPD • PPC • PPS



# The order picker's new workplace

A picking truck is one of the highest intensity workplaces imaginable. This was confirmed during development of the Tempo which is a truck family designed by order pickers for order pickers.

The Tempo combines outstanding performance with unique ergonomics and safety.

## Benefits of the order picker

- Low step-in height
- Generously dimensioned platform with non-slip floor
- Fitted with storage space for clothes, pens, papers, etc.
- Free-floating platform with safety switch
- Adjustable driving seat (option)
- ERGO steering (option)

## Safety

- Integrated safety switch in the floor
- Robust bumper stands up to rough treatment
- Effective emergency brake
- Stability Support System (S3) with Cornering Control (optional)

## The truck

- AC motor gives a maximum speed of 12 km/h
- 2.5 ton heavy duty version
- Powerful acceleration
- Truck computer (ATC t4) for reduced maintenance cost
- Efficient regenerative braking system

## Benefits for the company

- Ergonomic solutions reduce strain on staff
- Designed to reduce maintenance costs
- Lowest life cycle cost
- Increases efficiency
- Friction Force system ensures smooth running and constant wheel pressure and traction
- Prepared for connection of a terminal (optional)
- Individual performance categories for safe and quick operation



UNICARRIERS

## New Tempo for piecework

The UniCarriers low level order picker, Tempo, is every order picker's and every company's dream. The Tempo is a sound investment for any company; it is reliable and built to minimise servicing and maintenance costs.

### 1. Quick



The powerful 2.2 kW AC motor delivers unparalleled performance. Traction remains constant due to the sophisticated Friction Force system. The spring loaded pivoting powertrain compensates for uneven floors and improves traction. This makes the drive wheel last longer, contributing to reduced cost and higher uptime.

### 2. Powerful

Tempo is designed for multi shift operations. Naturally, battery change is easy with standard steel rollers. Two chassis available:  
Junior chassis with up to 400 Ah  
Senior chassis with up to 600 Ah

### 3. Safe

Rugged chassis, UniCarriers' unique S3 safety system and many other smart safety features. For example:

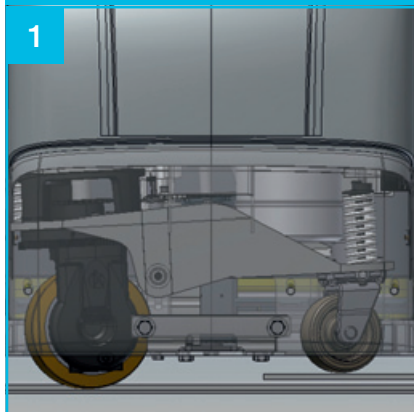
- The platform cannot be raised and lowered without the driver on board
- PIN code prevents unauthorised use of the truck
- Friction Force system gives smooth driving and increased traction.

### 4. Friendly

The driver is the most important part of the truck. The Tempo offers extra space and practical features as standard. The very low step in height helps the picker to stay fresh all day, contributing to more efficient picking and reduced total cost of operation.

### 5. Efficient

Performance and ergonomics combined, result in an efficient truck. Order pickers can work faster with the Tempo. This means more picking per hour and higher productivity. The PPF, PPC and PPS all offer fork lifts for ergonomic pallet height when picking. For second level picking the support bar is recommended and adds to safety.





UniCarriers designs, manufactures and supports the most advanced material handling equipment. By integrating the three distinctive brands of Atlet, Nissan Forklift and TCM, UniCarriers is the perfect mixture of Japanese quality and technology as well as Swedish design and ergonomics. UniCarriers represents more than 65 years of industry experience, an unparalleled global reach and deep understanding of local markets.

## 6. Ergonomic

Extra spacious dampened driving platform provides comfort with integrated backrest and optional adjustable seat. It is designed with several large storage compartments for personal items, paper, pens and tools. They are all cleverly located within easy reach to provide the best working position for the driver's convenience. Simple and easy to use.

## 7. Practical

Fork lift, platform lift and "walk beside" buttons are easily reached, located on the top of each side of the backrest (depending on specification). Two emergency switches are also located here for extra safety.

## 8. Tough

To ensure it can keep up the pace during a long day of starts, stops and rapid acceleration, the Tempo has a battery that gives full value up to the last minute. Even in the toughest environment the Tempo will work effortlessly. The optional Cold Store specified Tempo is designed to work down to  $-35^{\circ}\text{C}$ .



# UNICARRIERS



A-151-A

A-151-A

A-151-A  
WRIN  
02786096

090212 DLF 23095 02-102  
UR  
DiverseyLever

UR  
DiverseyLever

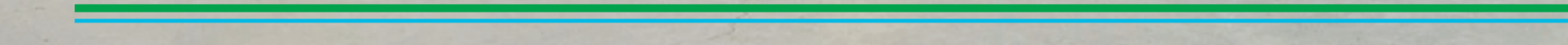
090212 DLF 23095 02-102  
UR  
DiverseyLever

05134-039  
05134

05134-039  
05134-039

UNICARRIERS

UNICARRIERS  
UR  
DiverseyLever





# The difference is in the detail

- Extra spacious driving platform (790 x 449 mm)
- Low step-in height (from 123 mm)
- Friction Force – unique pivoting drive unit makes high speed driving safer and smoother
- Quick and simple adjustment of fork and platform height for comfortable working position
- Prepared for connection of computer terminal
- Powerful AC motor (2.2 kW) ensures smooth, steady driving with high top speed and rapid acceleration
- Robust chassis with reinforced bumper
- Strong steel battery cover for additional floor space when picking on second level
- Robust, powerful design and technology cuts life cycle cost (LCC)

## ERGO steering



UniCarriers' steering module – ERGO steering – has been developed to meet the particular needs of the order picker. The driver can control all the truck's functions from the telescopic adjustable handle. Accelerator, brake, fork and platform lift/lowering. It is also possible to drive the truck while walking beside it. The steering is ergonomically designed to keep movements to a minimum. The motorbike-type handlebars give the driver full control of the truck at all times.

UniCarriers ERGO steering allows control of all functions from one place. The steering is progressive – a 70° angle on the ERGO steering gives a 90° turn of the wheels. The handle is designed to reduce movement, providing the driver with maximum relaxation between picking locations.







## Technical solutions

### Friction Force



For ultra-smooth operation. The Friction Force system means that the drive wheel always exerts optimum pressure on the surface, neither too much nor too little. This reduces wear on the wheels and floor, ensuring a smooth and steady running.

### ATC t4

Atlet Truck Computer is the brain in the truck. 100 different ID's with personal PIN codes allows different personal settings (speed, acceleration, etc.) and prevents unauthorised persons from using the truck. Tracking facility. Logging the use of the truck and fault detection with reporting functionality reduce down time for higher uptime.

### S3 – Stability Support System

**S3** The Stability Support System (S3) helps the driver avoid hazardous situations by reducing speed on tight turns, preventing tipping and delivering smoother, energy-saving driving (optional).

### Operations monitoring

The integral daily inspection programme monitors the truck's status and condition. When starting, the driver has to report any damage to the truck before it can be driven on full power (optional).

# Modular Design



## Two basic modules

Junior (400 Ah) & Senior (600 Ah) battery



### Fixed driver module



### Rising driver module



Low lift forks  
230 mm



High lift forks  
950 – 1200 mm



Low lift forks  
230 mm



High lift forks  
950 – 1200 mm



**PPL**  
2.0 – 2.5 ton



**PPF**  
1.2 ton



**PPD**  
2.0 – 2.5 ton



**PPC**  
1.2 ton

UniCarriers builds trucks to a modular concept. This makes it possible to tailor every truck to your particular wishes and keep down service and LCC costs. Design your own Tempo for floor and first level picking to meet your particular picking needs. Shared component strategy ensures maximum uptime due to the need for fewer spare parts.



## Basic module

Senior (600 Ah) battery



Fixed driver module



Rising driver module

## High-Scissor lift forks

950 mm



PPS  
2.0 ton



PPS  
2.0 ton

## Tiller arm or ERGO steering

Choose between the well-designed tiller arm and the optional smooth, ergonomic motorbike-inspired ERGO steering with electric power steering, both designed to match the highest standards for efficiency and safety. ATC t4 computer display and keyboard are within easy reach for of the operator.



Tiller arm with safety grip



ERGO steering with cleverly positioned controls (optional)

It's all about  
the price.  
**But what  
price?**

## **Reduce your Total Cost of Operation with UniCarriers**

We agree. Price is everything. Or to be more specific: your Total Cost of Operation (TCO). That's why we're so focused on cutting costs and improving your material handling. The truck and its performance play an important role, but this is even more about how we can support you in optimising your warehouse operations to give you the best value for your money. Which – in the long run – is what creates a winner.

### **UNICARRIERS CORPORATION**

UniCarriers Corporation reserves the right to make any changes without notice concerning colours, equipment or specifications detailed in this brochure, or to discontinue individual models. The colours of vehicles delivered may differ slightly from those in this brochure. The specifications vary for different countries depending on local market conditions. Please consult your local dealer to ensure that the vehicle delivered meets your expectations. All values are determined based on the standard condition and may vary, due to motor and system tolerances, condition of the truck and operational conditions. Some equipment shown on photos are optional.